

FEATURES

MAC-LIFTON

HIGH RISE ACCESS PLATFORMS

Applications

MAC-LIFTON access platforms are the ultimate machines for overhead maintenance work. These machines can be used for maintenance of street lights, Aircraft & also for tree cutting. They can be fitted on to standard commercial vehicles. Power is taken from the truck power take-off unit or from a separate prime mover.

Boom System

The boom system consists of two rectangular box sections. The lower boom is connected to the rotating column. The rotating column consists heavy duty bearings.

Rotation

360 degrees continuous slewing is provided for quickly positioning the work basket. The slewing mechanism consists of a hydro motor fitted on to a worm reduction unit.

Basket Levelling

Parallel links take care of basket levelling. These independent links ensure that the basket is always level.

Hydraulic Cylinders

All cylinders are internally hard-chrome plated for long seal life. The cylinders are double acting and have seals of a very high quality.

Safety Arrangements

All cylinders are provided with valves which prevent it from coming down in the event of hose failure. These valves also prevent runaway situations when the boom movements tend to overrun the pump. The boom travel is limited to safe limits, any operation beyond these limits will automatically cut off further movement.

Controls

Duplicated controls are provided as a standard feature. Boom operations can be made either from the basket or from the base. Separate valves are provided for stabilisers with boom inter locks.

Personnel Basket

The basket is made from tubular sections for extra strength and it insulated to withstand 3 KVA. The basket controls are protected against unintentional operation.

TECHNICAL DATA

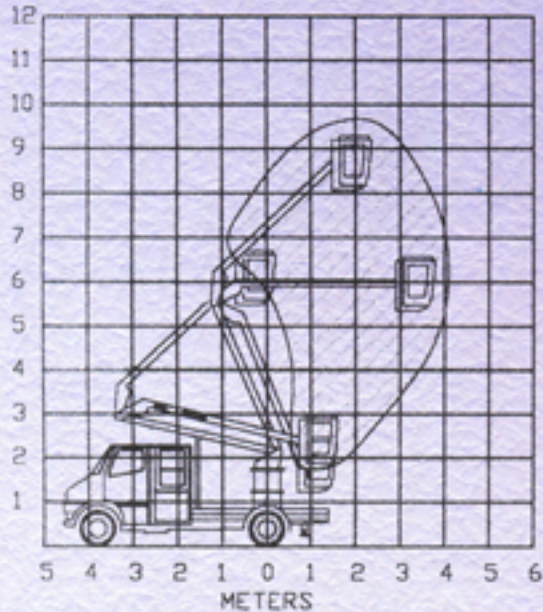
MODEL	MAC-LIFTON	9.5	11	14.5	16
1.	Capacity	225Kgs	225Kgs	250 Kgs	225 Kgs
2.	Max. working height	9.50 m	11m	14.5 m	16 m
3.	Max. platform height	8.00 m	9.5m	13 m	14.5 m
4.	Max. outreach	4.5 m	5 m	6.2 m	9.5 m
5.	Stowed height	2.80 m	3.3 m	3.3 m	3.35 m
6.	Stowed length	5.5 m	7.3 m	8.1 m	10 m
7.	Basket size	0.6 x 1.0 x 1.0 m	0.6 x 1.0 x 1.0 m	0.6 x 1.0 x 1.0 m	0.6 x 1.0 x 1.0 m
8.	Working pressure	2000 psi	2000 psi	2000 psi	2000 psi
9.	Vehicle suitable for mounting				
	Min. W.B.	3.80 m	3.80 m	4.20 m	4.20 m
	Min. G.V.W.	6.95 t	6.95 t	9 t	15.6 t

DIMENSIONS ARE DEPENDANT ON CHASSIS TYPE. DESIGN IS SUBJECT TO CHANGE WITHOUT NOTICE.

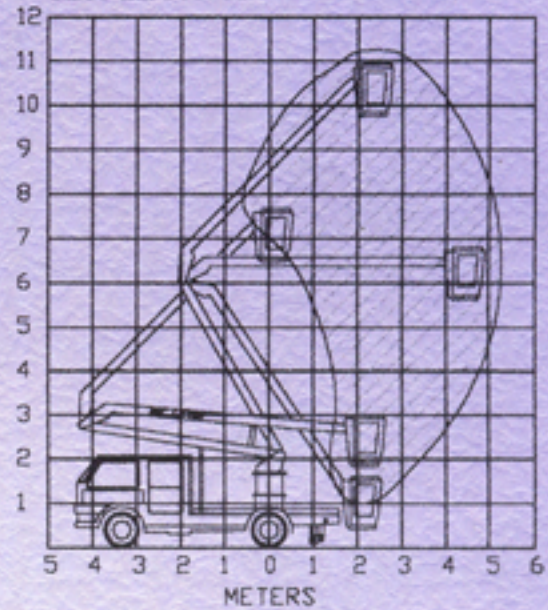
MAC-LIFTON

AERIAL PLATFORM TECHNICAL DATA

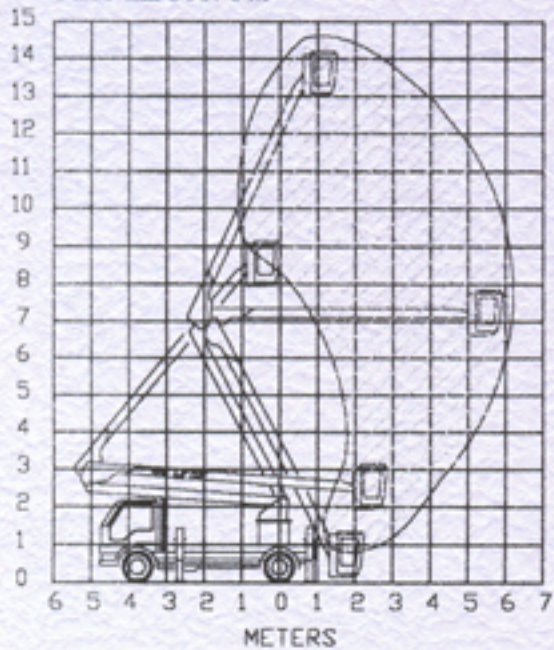
MAC-LIFTON-9.5



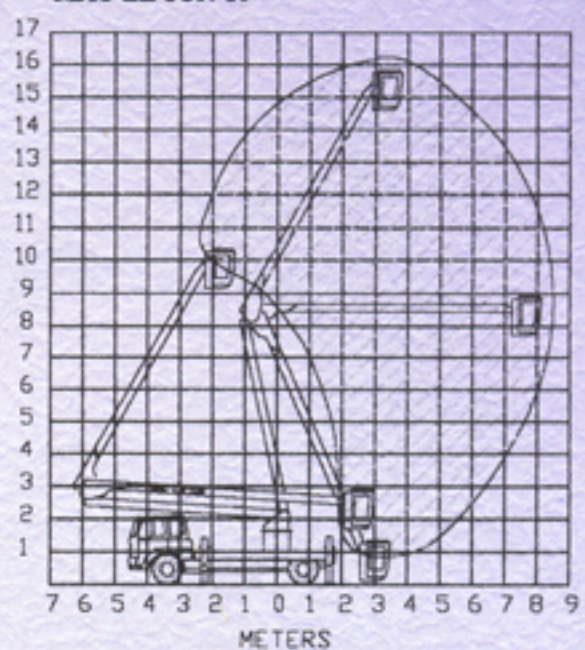
MAC-LIFTON-11



MAC-LIFTON-14.5



MAC-LIFTON-16



MAC-LIFTON[®]



ACCESS EQUIPMENTS

Manufactured by

Shalimar Engineering Co.

*4/A, Sanjay Society, Opp. Century Bazaar,
Mumbai 400 025.*

Tel.: 4312141 • Fax: 4221309